



# eDmod200

# M2M LAN Module

The eDmod200 is a complete, ready-to-integrate and easy-to-use Ethernet module that comes with a powerful TCP/IP stack, and all in a compact form factor that makes it suitable for inclusion in a large range of appliances.

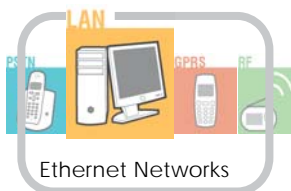
The eDmod200 is optimised to provide a reliable and price competitive solution for LAN M2M projects. Including all the software and hardware components needed to transfer information over Ethernet networks, the eDmod200's integration process does not require a big investment and offers a short time-to-market option for connecting devices.

▶ Ready-to-Integrate ▶ Embedded TCP/IP ▶ Compact Module

Based on standard off-the-shelf components like a 16-bit DSP, the eDmod200 embeds the award-winning eDevice TCP/IP stack, "packaging" eDevice's expertise in connecting and managing large groups of connected devices.

Full access to Ethernet networks with 10BaseT interface and internal DHCP client for automatic IP addressing configuration.

### LAN Port



Ethernet Networks

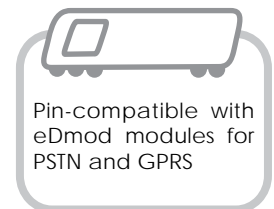
The windows-based SDK allows to easily write, compile and embed user-specific scripts onto the eDmod with a true file system.

### Tiny OS with FAT



Parameters and actions are triggered using the user-friendly eDevice AT# interface through serial port or remote control.

### AT# Interface



Pin-compatible with eDmod modules for PSTN and GPRS

The socket modem connectivity is compatible with other eDevice modules allowing a device to support different networks.

### Universal Format

PPP server over serial port allows devices designed only for modem internet access to switch smoothly to LAN network.

### Modem Emulation

Data on Flash memory or on serial port can be easily downloaded or uploaded from a remote FTP server or via email.

### FTP & Mail Client

The eDkit200 includes all the components required to fully test and evaluate the eDmod200:

<p>eDkit Package Content</p>	<p>1 eDbox based on eDmod200</p>	<p>Power Supply</p>	<p>DB9/USB Cable DB9 M/M adapter</p>	<p>SDK and Wizard Documentation</p>
------------------------------	----------------------------------	---------------------	--	-------------------------------------



# eDmod200

# M2M LAN Module

## ▶ Hardware

- ◆ 2185 Analog Devices 16 bit DSP
- ◆ File Allocation Table on 8 Mbit Flash Memory
- ◆ Operating system with interpreted script language for software customisation
- ◆ Serial connection up to 230Kbps to host equipment (TTL 3V3 or RS232)
- ◆ Power Supply 5V, Power Use 120mA
- ◆ Operating Environment: 0°C to + 45°C

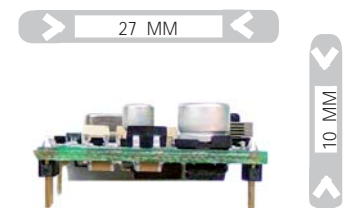
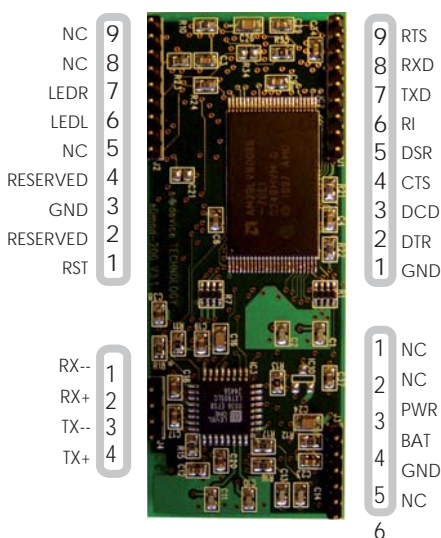
## ▶ Ethernet

- ◆ 10BaseT Interface
- ◆ DHCP client for automatic configuration or static IP addressing
- ◆ ARP-ping mechanism & RARP server for first static IP addressing through network port (with configuration Wizard)
- ◆ In-house RFC compliant TCP/IP stack driven with standard eDevice AT# interface for commands and parameters

## ▶ TCP/IP

- ◆ DNS and NTP Client
- ◆ TCP Socket Client and Server for Telnet connections
- ◆ SMTP and POP3 Client for email transfer
- ◆ FTP Client for File Transfer from or to a remote FTP server
- ◆ Dynamic embedded HTTP Web Server: custom pages are stored in the memory and are dynamically updated with real-time values upon browsing

The eDmod200 is IDeMS-certified, allowing connectivity to IDeMS, eDevice Middleware Server, to benefit from advanced Fleet Management Services and from LAN-specific Network Services, eliminating certain network limitations (e.g. private and dynamic IP addressing).



Model	Speed	Level
eDmod200	10BaseT	RS232
eDmod200T	10BaseT	TTL
eDmod220		PPP over