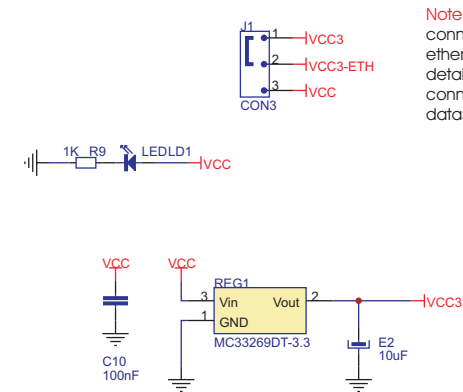
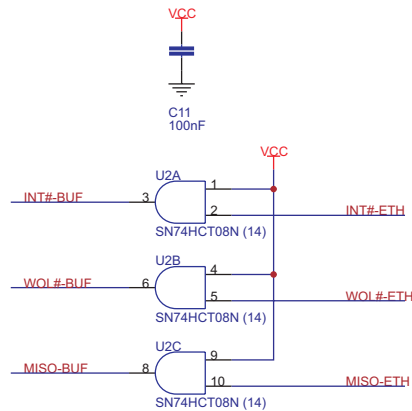
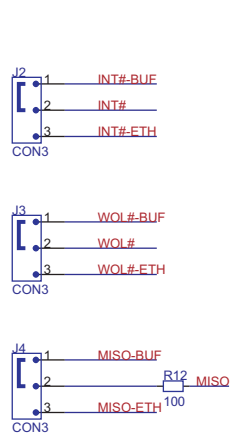
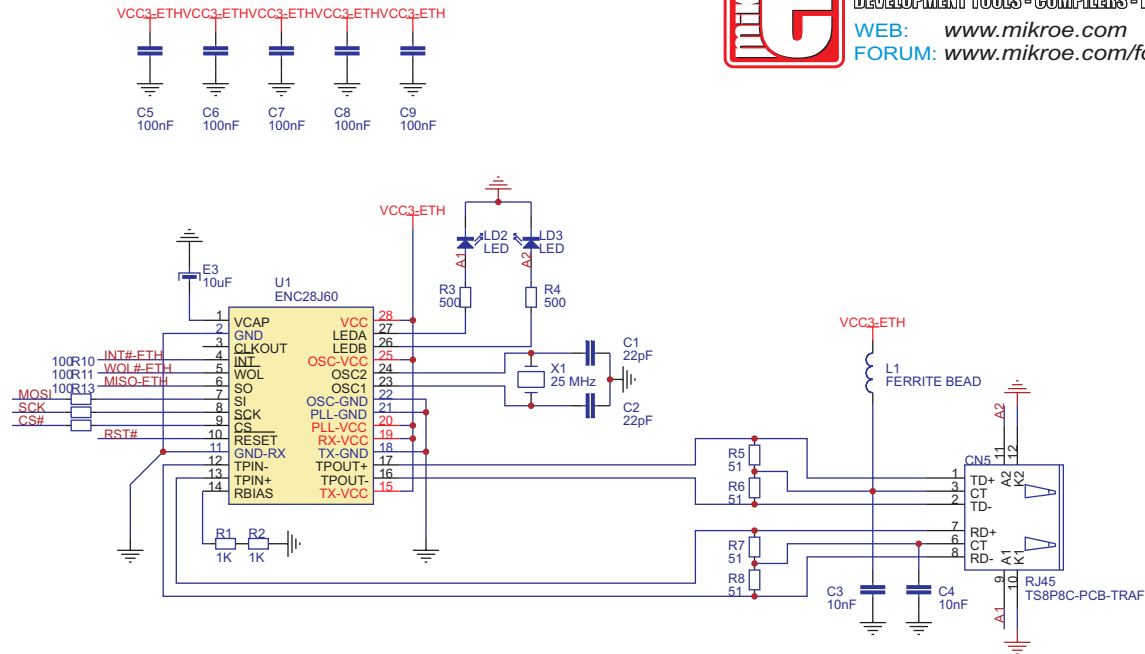
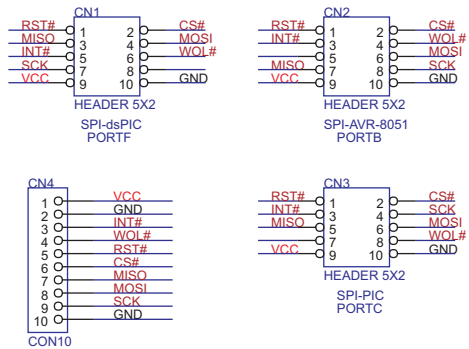


IDC10 connectors for connecting to PIC, AVR, 8051 or dsPIC development system.



Note: TS8P8C-PCB-TRAF RJ45 connector have integrated ethernet transformer. For more detail on ethernet transformer connection refer to ENC28J60 datasheet.

Jumpers for selecting output voltage level for INT, WOL and MISO line.

Serial Ethernet Board Schematic