

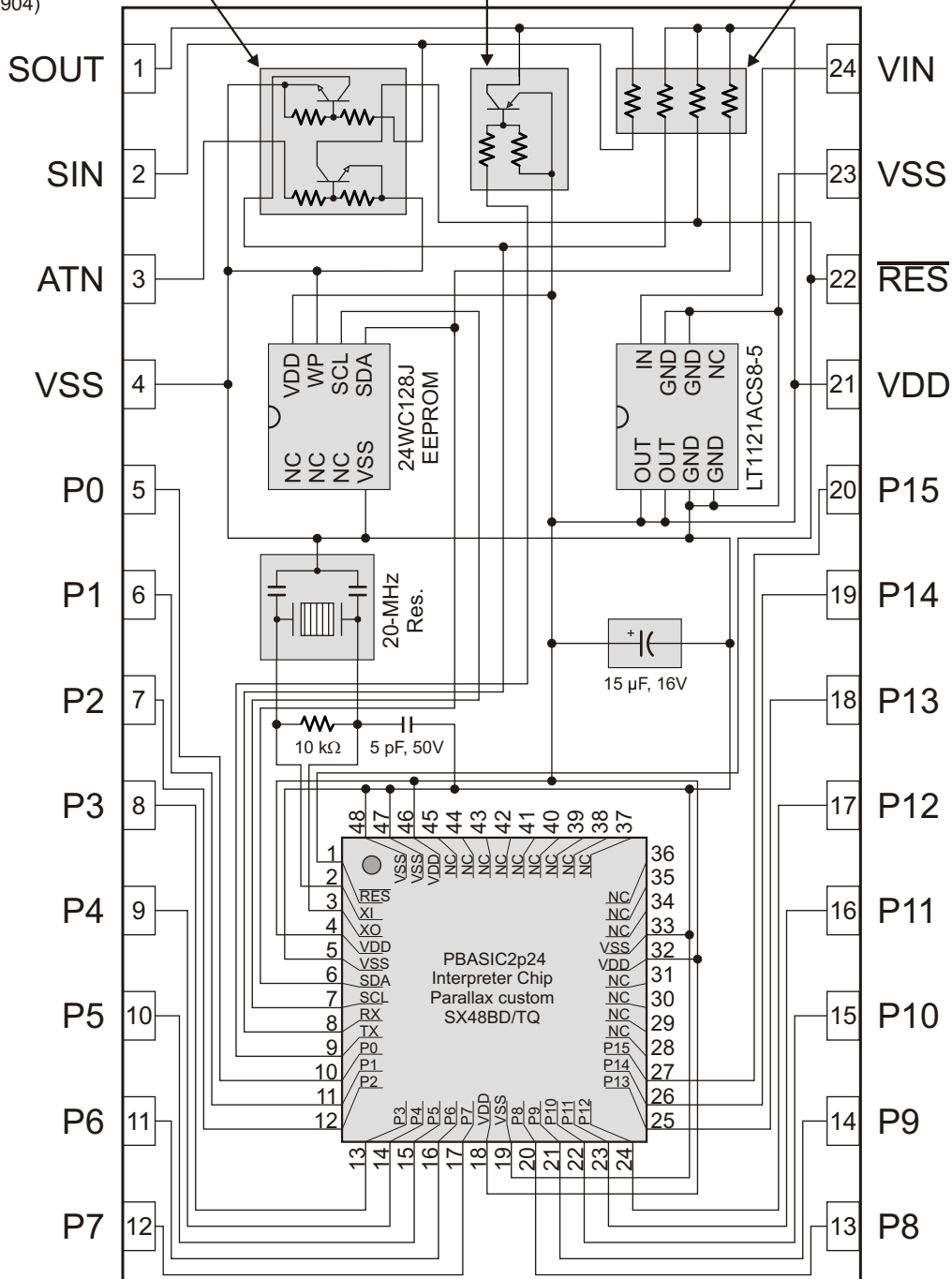
BASIC Stamp[®] BS2p24-IC Module Schematic Rev. D

Updated 8-11-06 © Parallax, Inc.

Dual NPN Trans. Pack
 (10 kΩ Res. & 2N3904)

Single PNP Trans. Pack, (10 kΩ Res. & 2N3906)

Quad Res. Pack (4.7 kΩ Res.)



Notes:

The 15μF, 16V capacitor may be a 10-22μF, 6.3-16V tantalum capacitor.

The 24WC128J EEPROM may be an industrial 24WC128JI EEPROM.

The 20 MHz resonator is not polarity sensitive and the middle pin can be connected to either VDD or VSS.

