

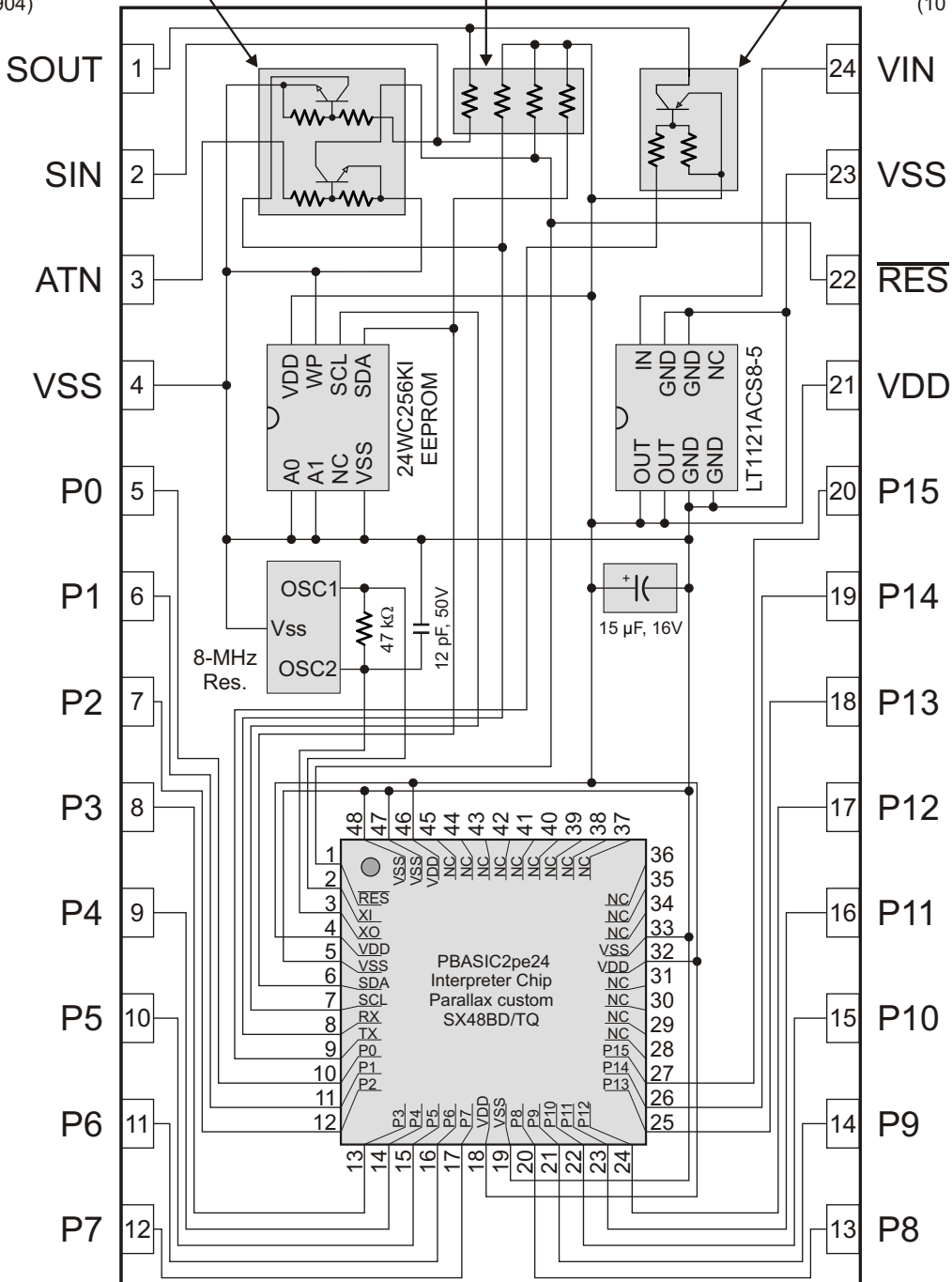
## BASIC Stamp<sup>®</sup> BS2pe-IC Module Schematic Rev. B

Updated 10-25-04 © Parallax, Inc.

Dual NPN Trans. Pack  
 (10 kΩ Res. & 2N3904)

Quad Res. Pack (4.7 kΩ Res.)

Single PNP Trans. Pack,  
 (10 kΩ Res. & 2N3906)



Notes:

The 15μF, 16V capacitor may be a 10-22μF, 6.3-16V tantalum capacitor.

The 8 MHz resonator is not polarity sensitive and the middle pin can be connected to either VDD or VSS.

